

**CONNECTIVITY BUNDLE**

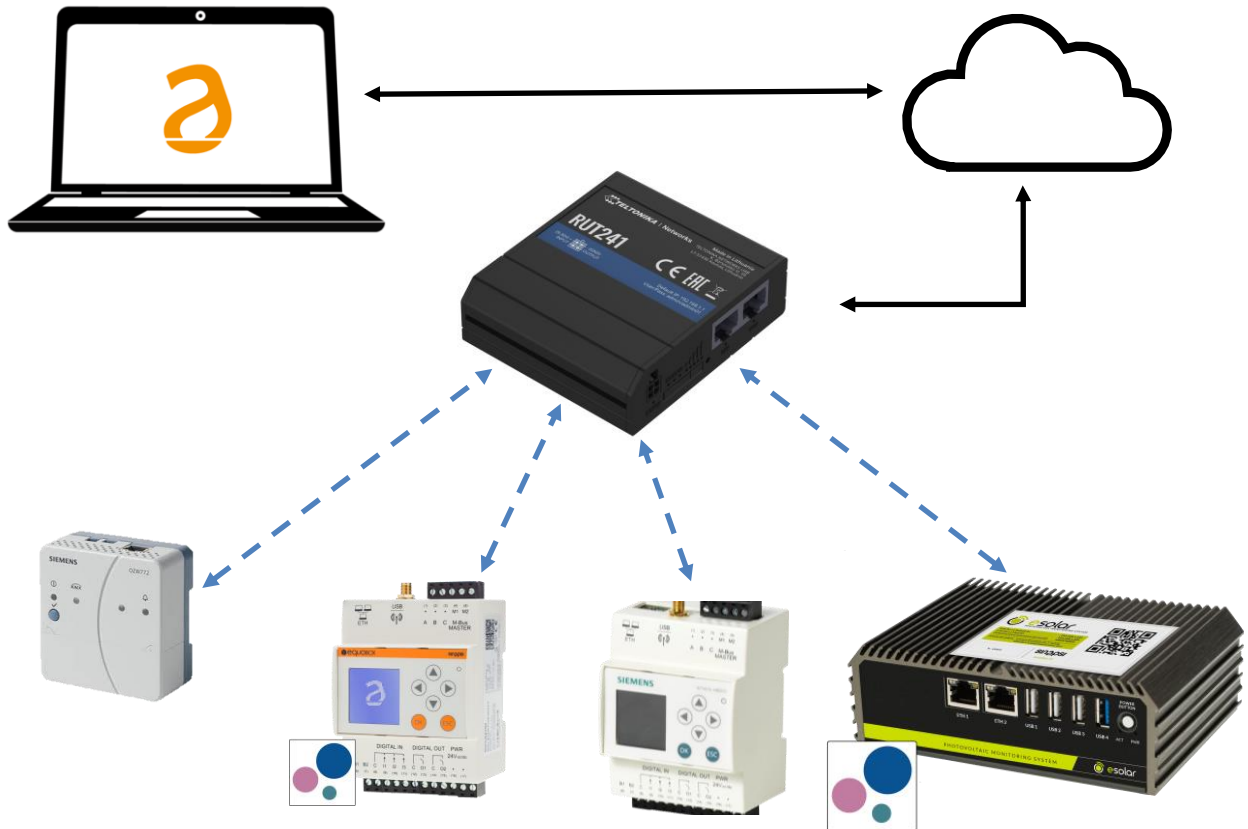
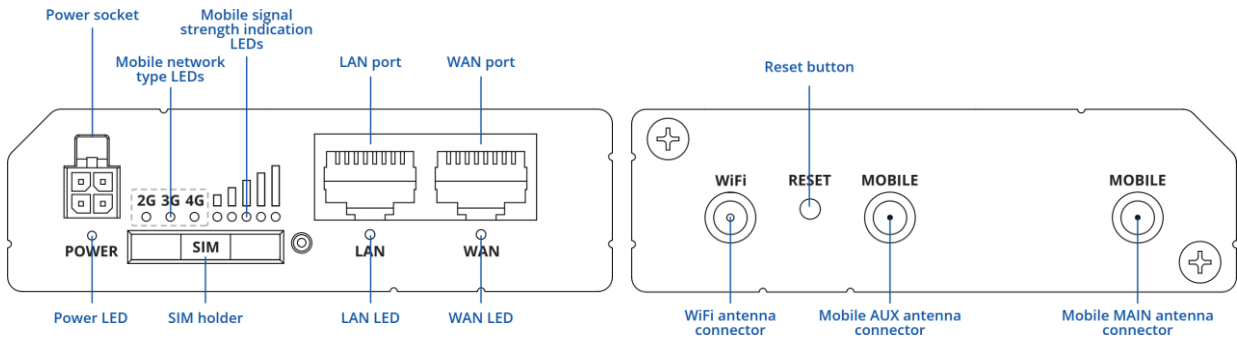


Integrated solution for internet connectivity of devices with Ethernet ports (check compatibility) in FULL PLUG&PLAY mode.

A bundle contains:

- N°1 SIN.RUT241
- N°1 SIM activated with two (2) years of traffic included for remote web-server management (monthly ceiling variable depending on the bundle selected)
- Dynamic DNS service

Once the monthly threshold of fast Internet on the device has been reached (variable according to the bundle selected), it is possible to continue Internet traffic at a speed of 64kbit/s at no additional cost. It guarantees the use of a FULL PLUG & PLAY system and the visibility of the device/system remotely.



Sinapsi Srl reserves the right to make changes to this product without any notice



## HARDWARE

<b>Mobile</b>	4G (LTE) – Cat 4 up to 150 Mbps, 3G – Up to 42 Mbps, 2G – Up to 236.8 kbps
<b>Ethernet</b>	2 x Rj45 10/100 Mbps Ethernet ports: 1 x WAN (configurable as LAN), 1 x LAN
<b>Power Supply</b>	9 – 30 VDC, 4 pin industrial DC connector
<b>Power adapter</b>	Input: 0.4 A@100-240 VAC, Output: 9 VDC, 1A, 4-pin plug
<b>Power consumption</b>	< 6.5 W Max
<b>Input</b>	1 x Digital input, 0 - 5 V detected as logic low, 8 - 30 V detected as logic high
<b>Output</b>	1 x Digital open collector output, max output 30 V, 300 mA
<b>Connectors</b>	1 x 4 pin DC; 2 x Ethernet; 2 x GSM/WCDMA/LTE omnidirectional, SMA male connector; 1 x WiFi antenna omnidirectional, RP-SMA
<b>Mobile antenna</b>	698~960 / 1710~2690 MHz, 50 Ω, VSWR<3, gain 4 dBi, omnidirectional, SMA male connector
<b>WiFi antenna</b>	2400~2500 MHz, 50 Ω, VSWR<2.5, gain 5 dBi, omnidirectional, RP-SMA male connector
<b>Max RF power</b>	33 dBm@GSM, 24 dBm@WCDMA, 23 dBm@LTE, 20 dBm@ WiFi
<b>SIM</b>	1 x SIM slot (Mini SIM – 2FF), 1.8 V/3 V, external SIM holder
<b>Status LEDs</b>	3 x connection type status, 5 x connection strength, 2 x LAN status, 1 x Power
<b>Operating temperature</b>	-40 °C to 75 °C
<b>Operating humidity</b>	10 % to 90 % non-condensing
<b>Housing</b>	Aluminium housing, plastic panels
<b>Dimensions (W x H x D)</b>	74 mm x 83 mm x 25 mm
<b>Weight</b>	125 g

## DYNAMIC DNS SERVICE

**Characteristics** Modem reachable via hostname managed via dyndns service

## GENERAL CHARACTERISTICS

<b>Supported devices</b>	ESOLAR (SIN.ES3BExxx – SINAPSI), EQUOBOX (SIN.EQRTUEVO1T – SINAPSI / SIN.EQRTUxx - SINAPSI), WTV676 (SIEMENS). OZW672 / OZW772 (SIEMENS). For use with third-party web-servers, please refer to the port mapping table in the Quick Start Guide (QSG)
<b>Prerequisites</b>	Checking VODAFONE signal presence in the field Activation request via downloadable form
<b>Limitations</b>	Once the fast Internet threshold on the device has been reached (which varies depending on the bundle selected), it is possible to continue Internet traffic at 64kbit/s at no additional cost. Restricted access to router configuration
<b>Device maximum Number</b>	9 devices with preset rules + 2 devices in DHCP
<b>Duration of service</b>	Two (2) years included with bundle provision Service renewable from the third year onwards, from year to year, at the user's discretion (variable cost depending on the bundle selected)

## ORDERING CODE

<b>SIN.RUT241DNS500MB24M</b>	Modem Router with 500 MB data traffic per month included for 24 months
<b>SIN.RUT241DNS1GB24M</b>	Modem Router with 1 GB data traffic per month included for 24 months
<b>SIN.RUT241DNS10GB24M</b>	Modem Router with 10 GB data traffic per month included for 24 months
<b>SIN.RUT241DNS50GB24M</b>	Modem Router with 50 GB data traffic per month included for 24 months

