

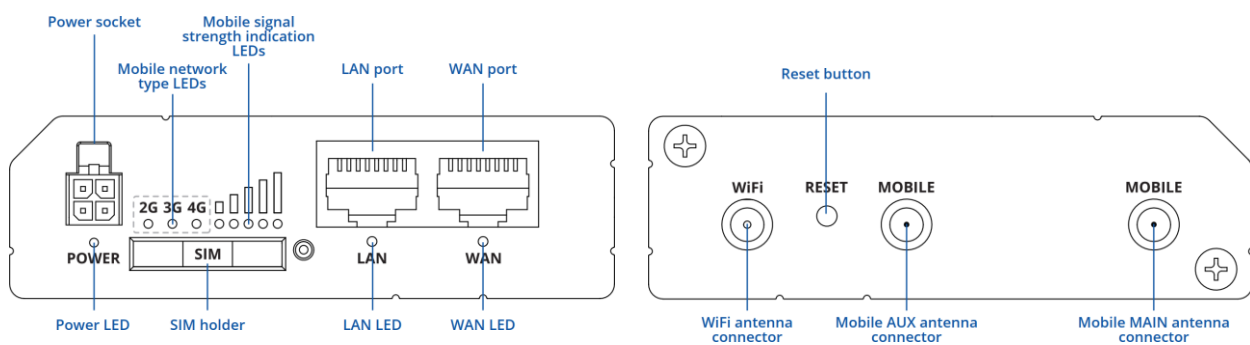
LTE CAT4 INDUSTRIAL CELLULAR ROUTER



Compact, robust and powerful device tailored for Industrial M2M/IoT applications. RUT240 is equipped with 2 x Ethernet and Wireless interfaces with Hotspot functionality. Device provides secure and stable Internet connectivity for Industrial applications using RutOS software and security features such as OpenVPN, IPsec, Firewall, Hotspot, SMS control and RMS support.

LTE Cat 4 up to 150Mbps

- Compact size, easy integration
- Automatic switching to available | Backup connection
- Digital Input/Output for remote monitoring and control



HARDWARE

Mobile	4G (LTE) – Cat 4 up to 150 Mbps, 3G – Up to 42 Mbps, 2G – Up to 236.8 kbps
CPU	Mediatek, MT7628, 580 MHz
Memory	16 MBytes Flash, 128 MBytes DDR2 RAM
Ethernet	2 x Rj45 10/100 Mbps Ethernet ports: 1 x WAN (configurable as LAN), 1 x LAN
Power Supply	9 – 30 VDC, 4 pin industrial DC connector
Power adapter	Input: 0.4 A@100-240 VAC, Output: 9 VDC, 1A, 4-pin plug
Power consumption	< 6.5 W Max
Input	1 x Digital input, 0 - 5 V detected as logic low, 8 - 30 V detected as logic high
Output	1 x Digital open collector output, max output 30 V, 300 mA
Connectors	1 x 4 pin DC; 2 x Ethernet; 2 x GSM/WCDMA/LTE omnidirectional, SMA male connector; 1 x WiFi antenna omnidirectional, RP-SMA
Mobile antenna	698~960 / 1710~2690 MHz, 50 Ω, VSWR<3, gain 4 dBi, omnidirectional, SMA male connector
WiFi antenna	2400~2500 MHz, 50 Ω, VSWR<2.5, gain 5 dBi, omnidirectional, RP-SMA male connector
Max RF power	33 dBm@GSM, 24 dBm@WCDMA, 23 dBm@LTE, 20 dBm@ WiFi
SIM	1 x SIM slot (Mini SIM – 2FF), 1.8 V/3 V, external SIM holder
Status LEDs	3 x connection type status, 5 x connection strength, 2 x LAN status, 1 x Power
Operating temperature	-40 °C to 75 °C
Operating humidity	10 % to 90 % non-condensing
Housing	Aluminium housing, plastic panels
Dimensions (W x H x D)	74 mm x 83 mm x 25 mm
Weight	125 g



SOFTWARE

Operating system	RutOS (OpenWrt based Linux OS)
Multiple PDN	Possibility to use different PDNs for multiple network access and services
Network protocols	TCP, UDP, IPv4, IPv6, ICMP, NTP, DNS, HTTP, HTTPS, FTP, SMTP, SSL v3, TLS, ARP, VRRP, PPP, PPPoE, UPnP, SSH, DHCP, Telnet client, SNMP, MQTT, Wake On Lan (WOL)
Networking features	NAT, Static/Dynamic routing, Firewall, OpenVPN, IPsec, H.323 and SIP-alg protocol NAT helpers, allowing proper routing of VoIP packets
Unique networking features	VLAN, Load balancing, Mobile quota control, WEB Filter, Network Backup, Auto Failover
Connection monitoring	Ping Reboot, Periodic Reboot, Wget Reboot, LCP and ICMP for link inspection
Authentication	Pre-shared key, digital certificates, X.509 certificates
Keep settings	Update FW without losing current configuration
Monitoring & Management	WEB UI, SSH, SMS, SNMP, JSON-RPC, FOTA, RMS
Supported languages	Busybox shell, Lua, C, C++
Development tools	SDK package with build environment provided

ORDERING CODE

SIN.RUT241

SIN.RUT241T APN Tim preconfigured

SIN.RUT241V APN Vodafone preconfigured

